



LMP LED 14 PAR36

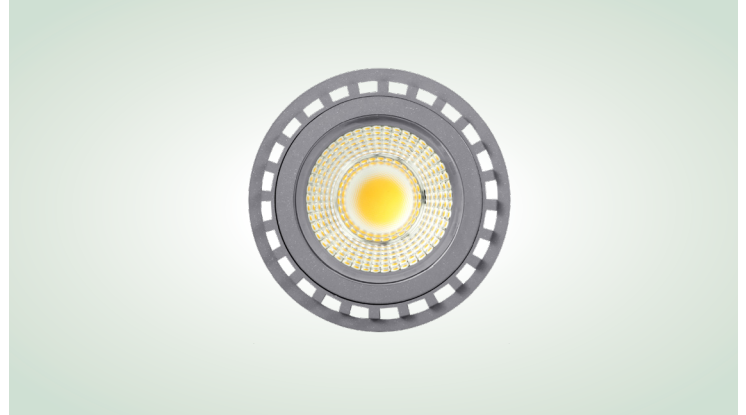
14W 12V PAR36 LED Lamps

Catalog Number	
Project	Type

FEATURES & SPECIFICATIONS

APPLICATIONS — The LMP LED 14 PAR36 series of 14W LED 12V PAR36 lamps are energy efficient retrofit lamps designed to replace PAR36 halogen lamps. It offers similar light output to a 12V, 55W incandescent and is suitable for use in most 12V PAR36 fixtures. Typical applications include use in recessed landscape fixtures as well as flood lights where fixture concealment is desired. Our line of high performance PAR36s with assorted color, beamspread, and lumen outputs will ensure there is a bulb for your needs. Lamps fit outdoor landscape bullets, such as the [Techlight R3LWC-P36 Series](#).

FEATURES — PAR36 bulbs are a popular choice for both indoor and outdoor lighting. They can be found in homes, businesses, offices, and even lighting up landscapes. Inside, they are commonly used in track lighting and recessed can fixtures. One of the biggest advantages of PAR36 bulbs for landscaping is their ability to be installed flush with the ground. This creates a clean and subtle look during the day, making the fixtures themselves nearly invisible. Another benefit is that the flush installation makes them less likely to be damaged by lawnmowers or other equipment during yard maintenance.



LISTINGS — ETL Listed for damp locations. RoHS compliant.

WARRANTY — Lamps are covered by a limited lifetime warranty throughout the life-time of the lamps.

ORDERING INFORMATION

Choose the bold face options for the appropriate configuration for your application and enter on the line above each fixture attribute.

EXAMPLE:

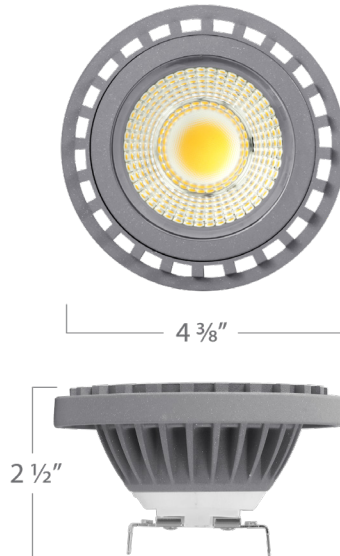
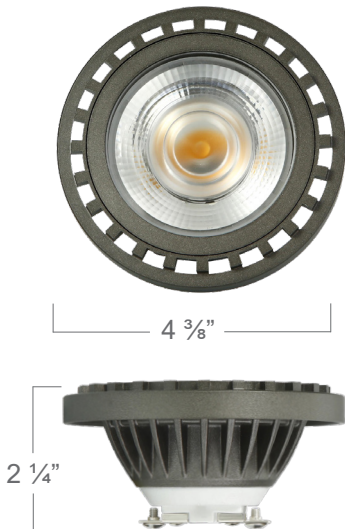
LMP LED 14 PAR36 15D 3000K

LMP LED 14 PAR36		
SERIES	BEAM ANGLE	COLOR TEMP/CCT
LMP LED 14 PAR36	15D = 15 Degree 24D = 24 Degree 36D = 36 Degree 60D = 60 Degree 120D = 120 Degree	2700K = Soft White (2700K) 3000K = Warm White (3000K)

LAMP DIMENSIONS

15° Beam

24°, 36°, 60°, and 120° Beams



R3LWC-P36 bullet w/S25 Up Shield & 120° PAR36 Lamp

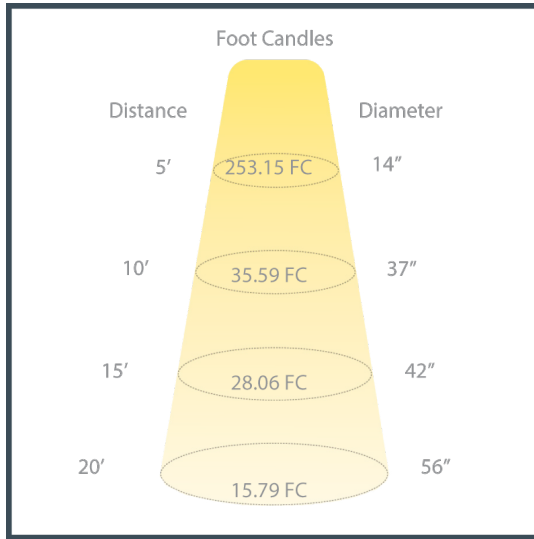


LMP LED 14 PAR36 14W 12V LED PAR36 Lamps

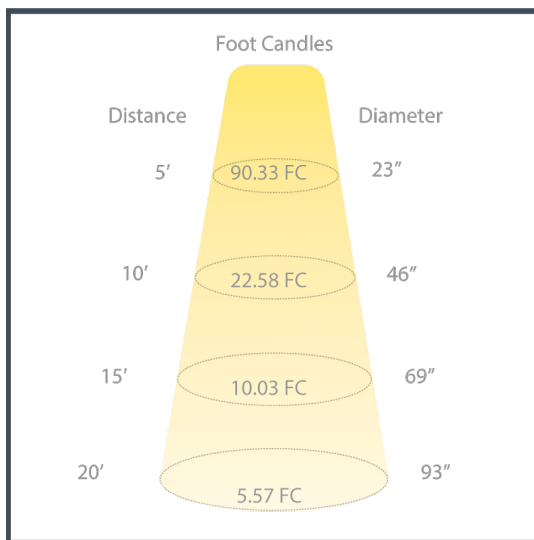
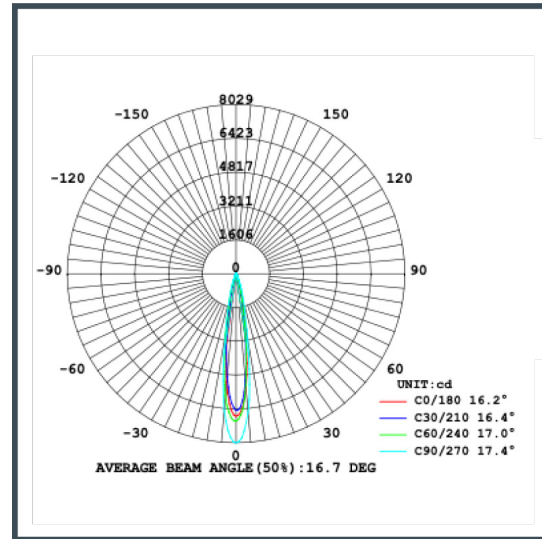
LAMP INFORMATION

Beam Angle	Material	Input Voltage	Volt-Amperes (VA)	Wattage	CRI	Lumens	CCT	Lumens/Watt	CBCP
15°	Ceramic + PC	12V AC/DC	16	14W	90	1,020L	2700K, 3000K	73	8897
24°	Ceramic + PC	12V AC/DC	18	14W	90	1,100L	2700K, 3000K	79	3086
36°	Ceramic + PC	12V AC/DC	18	14W	90	1,125L	2700K, 3000K	80	2250
60°	Ceramic + PC	12V AC/DC	18	14W	90	1,150L	2700K, 3000K	82	1234
120°	Ceramic + PC	12V AC/DC	18	14W	90	925L	2700K, 3000K	66	415

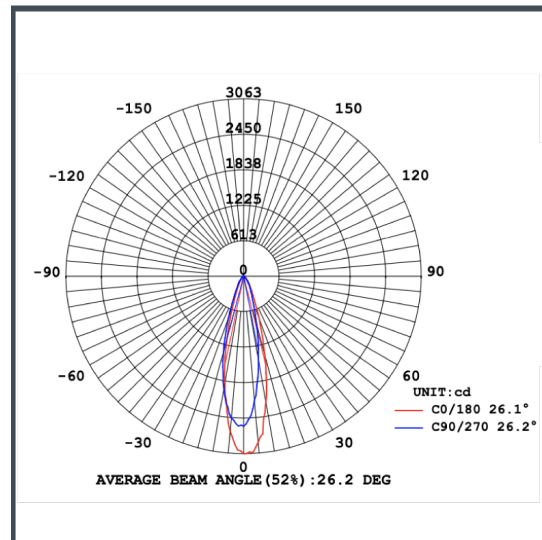
PHOTOMETRIC CHARACTERISTICS



15° Beam Angle

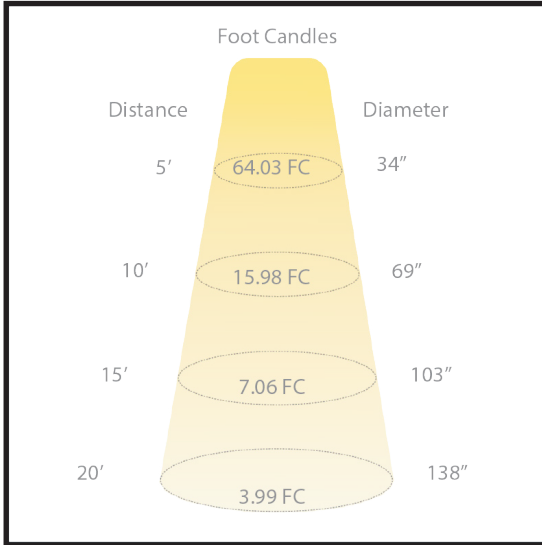


24° Beam Angle

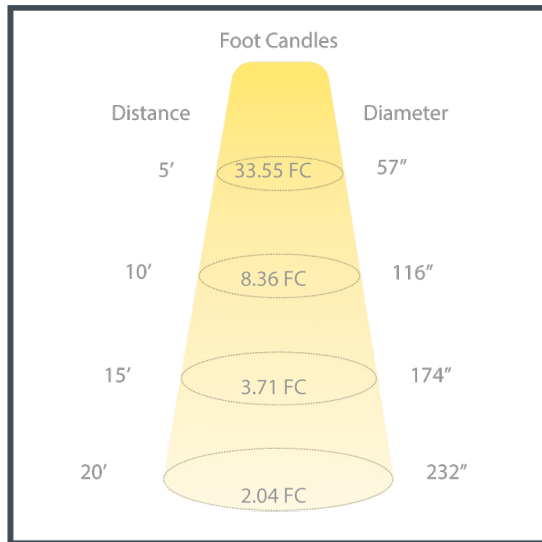
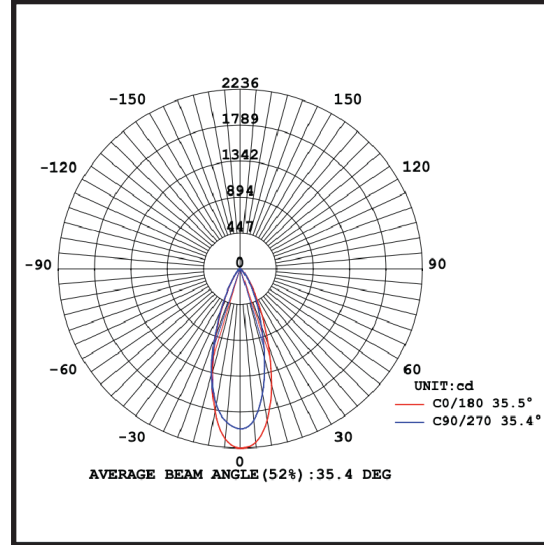


LMP LED 14 PAR36 14W 12V LED PAR36 Lamps

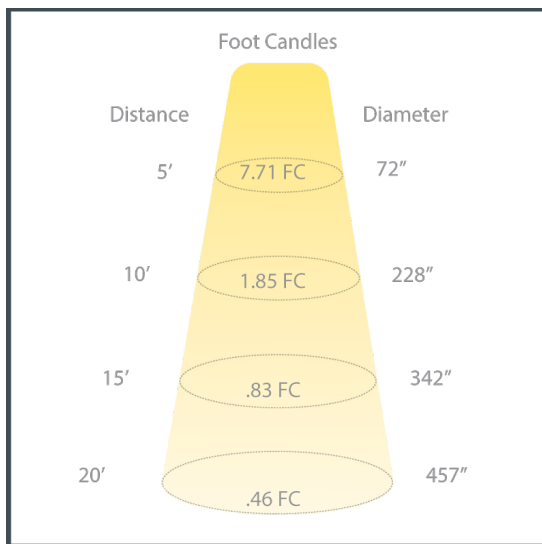
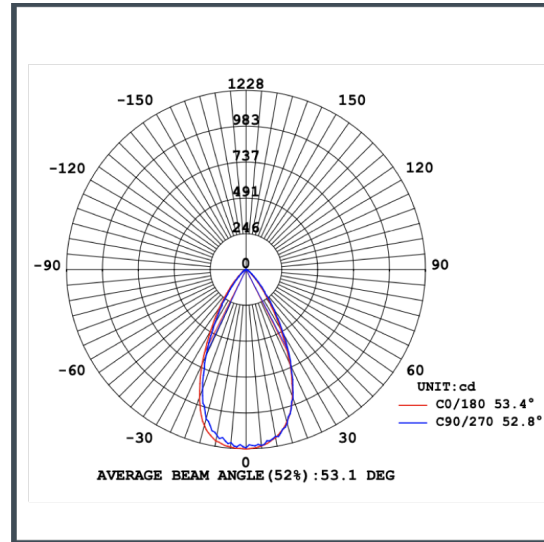
PHOTOMETRIC CHARACTERISTICS (cont.)



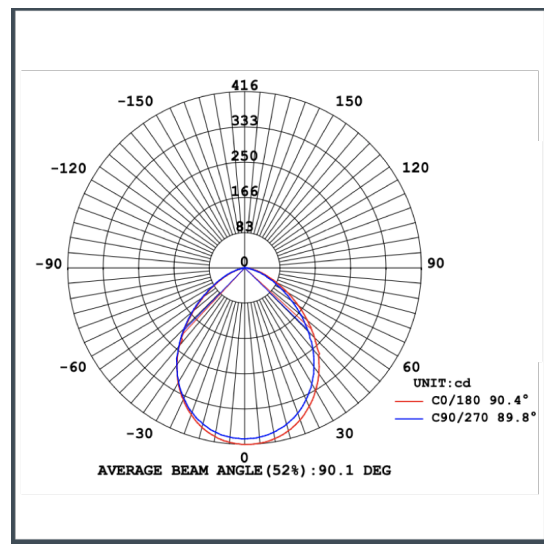
36° Beam Angle



60° Beam Angle



120° Beam Angle



TECHLIGHT
 GROUNDED IN ILLUMINATION

2707 SATSUMA | DR. DALLAS, TX 75229 | PH: 800.225.0727 | www.techlight.com